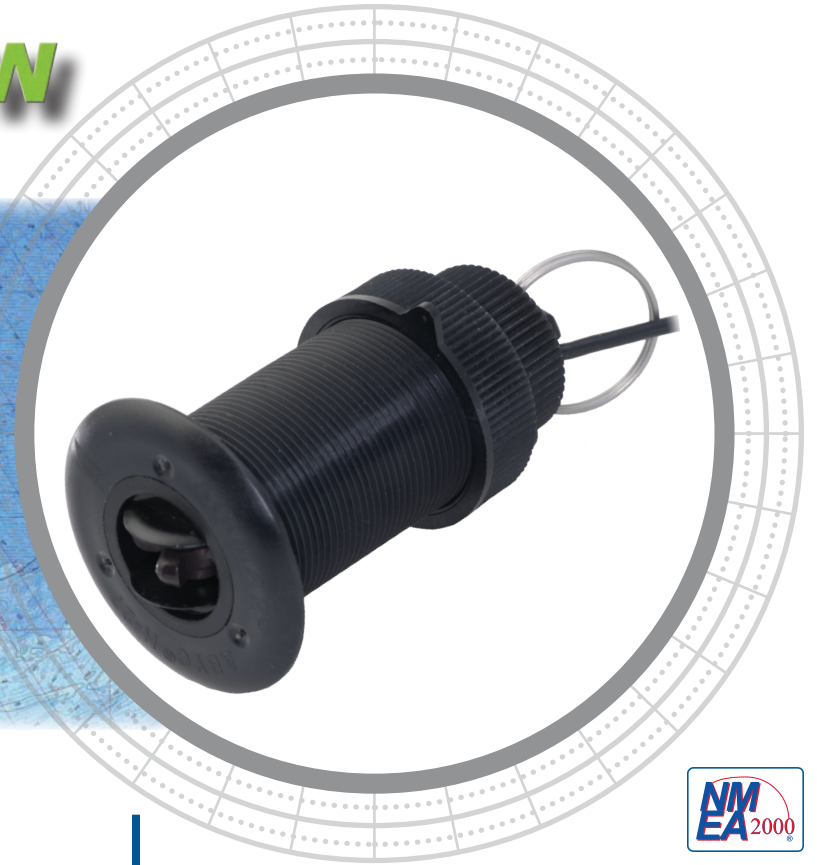
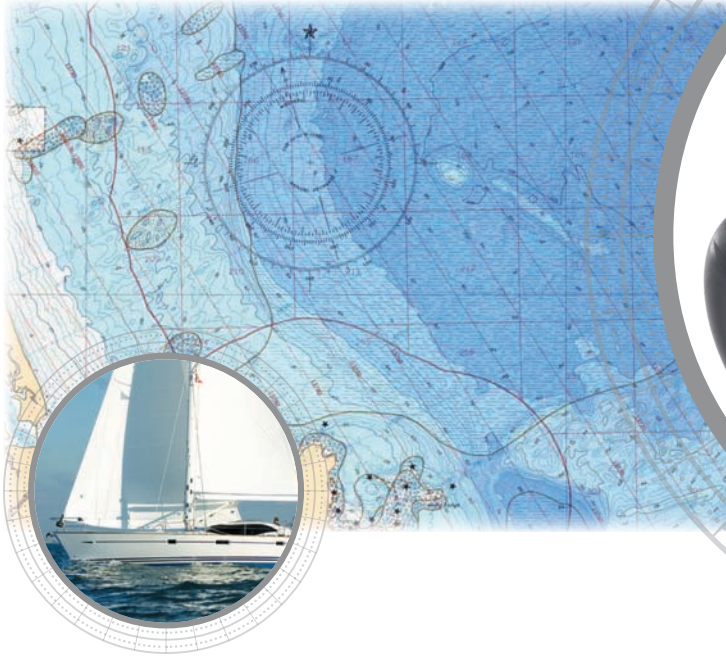


ST800 ST850

NEW



The Smart Alternative!

Airmar's New ST800 and ST850 Smart™ Sensors feature embedded micro-electronics. Speed and temperature signals are processed inside the sensor and can be displayed on any radar, chart plotter, or device that accepts NMEA 2000® data.

Minimize Your Drag

The ST850 is Airmar's standard, thru-hull, speed and temperature sensor. The plastic P617V, bronze B17, and stainless steel SS577 outer housing options are available to meet all hull requirements. These low-profile housings are nearly flush and minimize drag with only 5 mm (3/16") extending outside the hull.

Eliminate Turbulence

The plastic P217 and bronze B119 countersunk flush outer housings are easy-to-install. The plastic P314 and bronze B21 outer housing options have a traditional beveled-edge for flush mounting. Flush-mount housings eliminate turbulence for accurate readings at high-speeds. They are the optimal choice for installation in high-speed powerboats and racing sailboats.

Smart™ Sensors

Speed and Temperature
Thru-Hull Transducer

Features

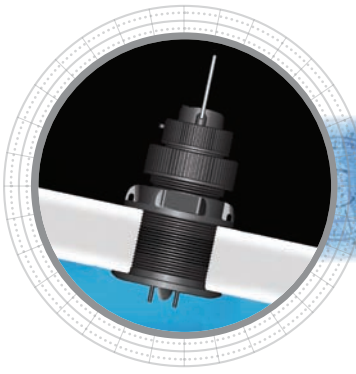
- Speed and temperature
- Plastic, bronze, or stainless steel housings available
- Retractable housing with water valve
- ST800—Retrofits into Airmar P120 and B120 housings
- ST850—Retrofits into Airmar P17 and B17 housings
- 6 m (20') NMEA 2000 cable
- Devicenet connector
- Speed Range: 2 knots to 45 knots (2 MPH to 52 MPH)



Sensing Technology

www.airmar.com

ST800, ST850



Technical Information

SPECIFICATIONS

Weight:

- 0.7 kg (1.4 lb)—Plastic
- 1.3 kg (2.8 lb)—Bronze
- 1.6 kg (3.5 lb)—Stainless Steel

Speed Range: 2 knots to 45 knots (2 MPH to 52 MPH)

Acoustic Window: Urethane

Hull Deadrise: Up to 22°

Data Update Rate: 1 per second

Minimum Depth Range: 0.5 m (1.6')

Maximum Depth Range: Up to 100 m (330')

Pressure Rating: 3 m (10')

Pulse Rate: 20,000 p/nm* (5.6 Hz per knot)—*p/nm = pulses per nautical mile

Supply Voltage: 9 VDC to 16 VDC

Supply Current: 200 mA

Standard Cable Length: 6 m (20') NMEA 2000 cable

Temperature Sensor Accuracy: ±0.5°C (±1.8°F)

Temperature Sensor Range: -10°C to 40°C (14°F to 104°F)

NMEA 2000® Load Equivalency Number (LEN): 4

CE Regulation: Complies to IERC945

DATA OUTPUT PROTOCOL

NMEA 0183 Sentence Structure

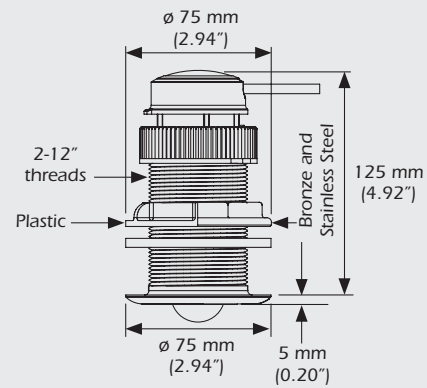
- \$VWVHW Speed
- \$VWVLW Distance
- \$YXMTW Water Temperature

NMEA 2000® Supported PGNs

- 59392 ISO Acknowledgement
- 600928 ISO Address Claim
- 126208 Acknowledge Group Function
- 126464 Transmit PGN List Group Function
- 126464 Received PGN List Group Function
- 126996 Product Information
- 128259 Speed (Speed Water Reference)
- 128275 Distance Log
- 130310 Environmental Parameters (Water Temperature)
- 130311 Environmental Parameters (Water Temperature)

DIMENSIONS

ST800 P120 Plastic, B120 Bronze



ST850 P617V Plastic, B17V Bronze, and SS577 Stainless Steel

